

# MUJI

## WALL SHELF

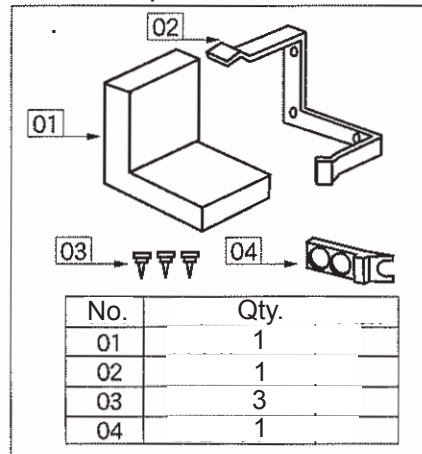
(For plaster board, withstand able load: 6.6Lb.)

Size: 5.4"width ×5.4"height ×4.4"depth

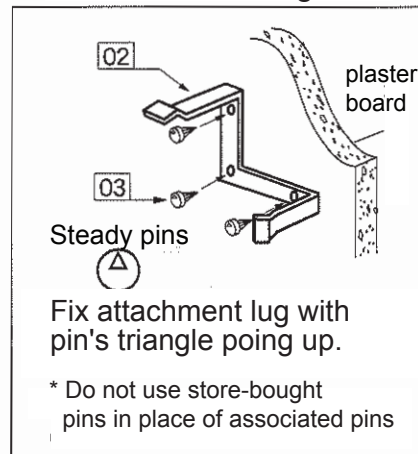
### Assembly Instruction

- Thank you for purchasing MUJI products.
- Please read carefully before using this product.
- Please keep these instructions.

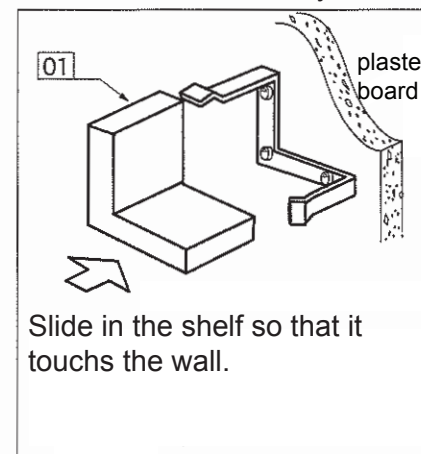
#### ① Check parts.



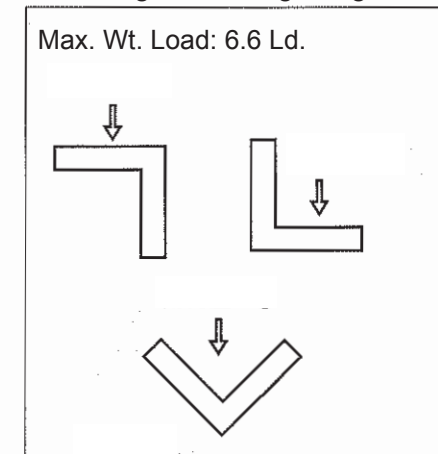
#### ② Fix attachment lug to wall.



#### ③ Secure the shelf body to the lug

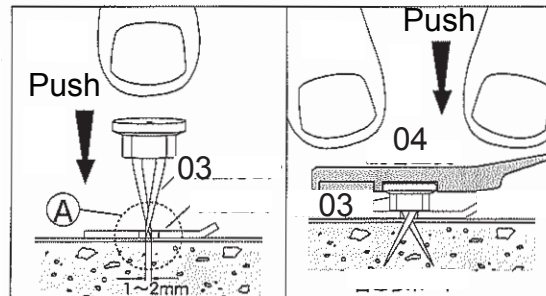


#### ④ Changeable usage angles

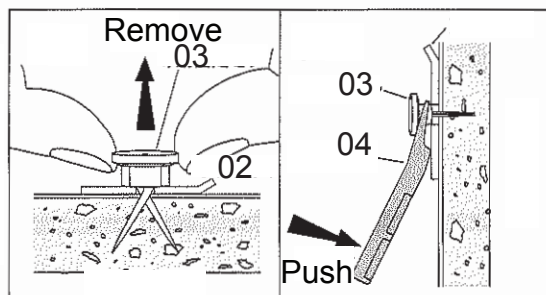


#### Instruction

##### How to fix the pin



##### How to remove the pin



#### Attention

- Fix attachment lug with pin's triangle pointing up.
- Do not overload
- Falling caution: Do not place fragile articles or valuable goods on the shelf.
- Do not use associated pins to soundwalls.
- Check the stability regularly.
- Puncture hazard: Pins pointed end is sharp.
- Do not twist the fixed pins. It may cause the whole to break.
- Please use parts provided only.
- As this item contains small parts, please keep away from the reach of children.